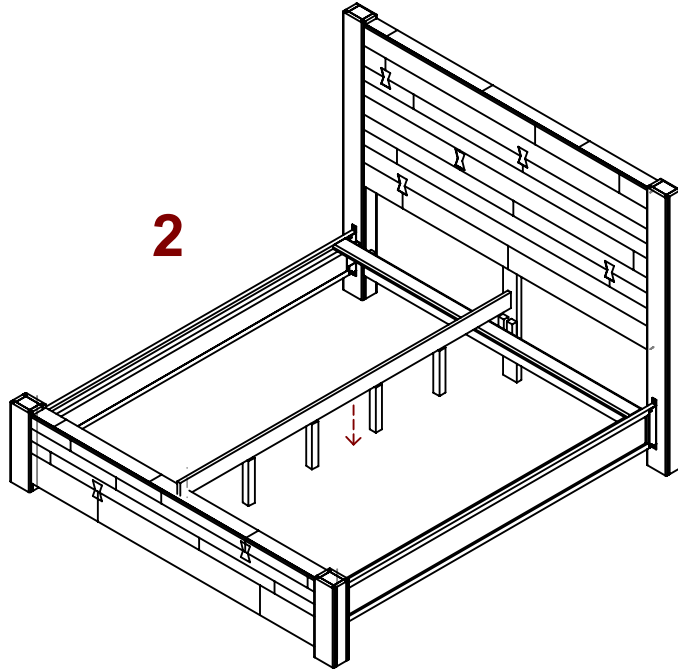
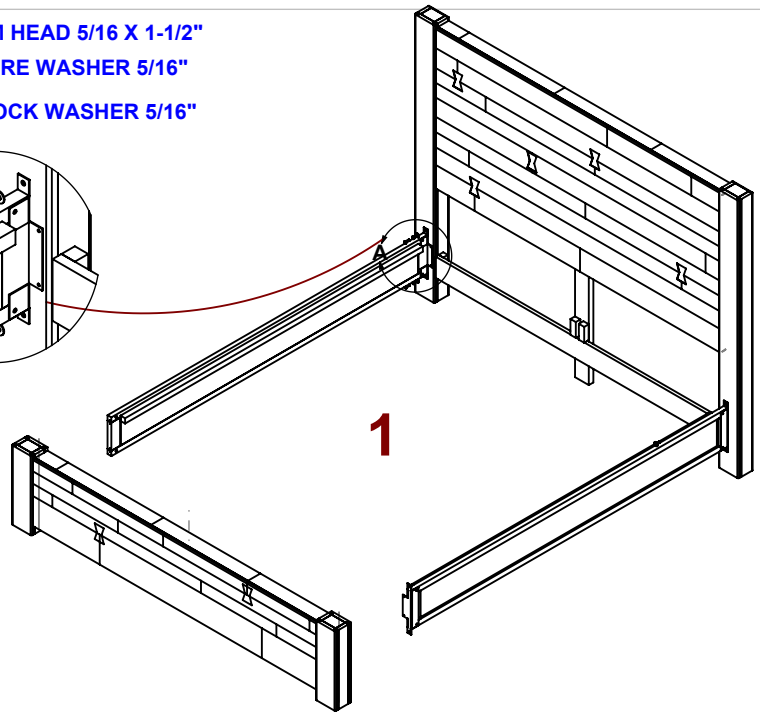
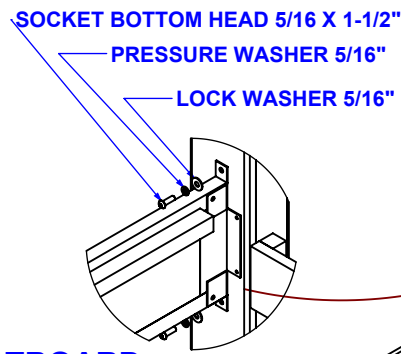


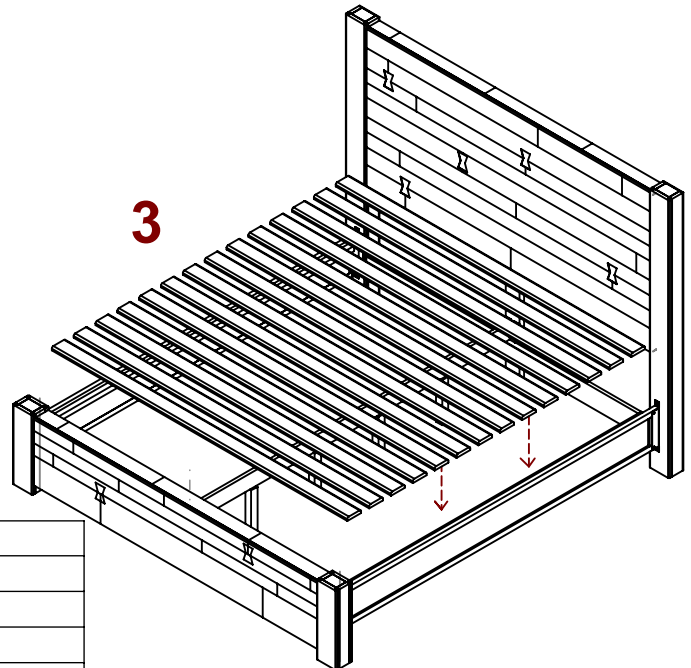
STEP 1

- 1.- ALIGN THE RAILS TO THE FOOTBOARD FIRST
- 2.- INSERT THE HARDWARE AS SHOWN IN FIG. 1, THEN CONTINUE TO DO THE SAME WITH THE HEAD BOARD



STEP 2

- 3.- IN THE CROSSBAR PERFORATION INSERT THE LEGS AND PLACE THEM IN THE BRACKETS ON THE BED AS SHOWN IN FIG. 2



STEP 3

- 4.- PLACE THE PALLETS ON THE CROSSBAR AS SHOWN IN FIG. SHOWN IN FIG. 3

DESCRIPTION	#
SOCKET BUTTON HEAD 5/16 X 1-1/2"	8
LOCK WASHER 5/16	8
PRESSURE WASHER 5/16	8
PAN HEAD SCREWS 8 X 3/4"	8
HEX KEY 3/16	1

ifd

INTERNATIONAL
FURNITURE DIRECT, LLC

ASSEMBLING INSTRUCTIONS

I-PLT-E014

ITEM	DESCRIPTION	#PZ
1RON003	RONDANA PLANA 5/16 X " NEGRA	8
1RON011	RONDANA DE PRESION 5/16	8
1TOR005	TORNILLO ALLEN CABEZA BOLA 5/16" X 1-1/2"	8
1HER251	LLAVE ALLEN 3/16	1
1PIJ036	PIJA PAVONADA CABEZA SARTEN 8 X 3/4"	8

ifd

INTERNATIONAL
FURNITURE DIRECT, LLC

CODIGO:

COLECCION: