



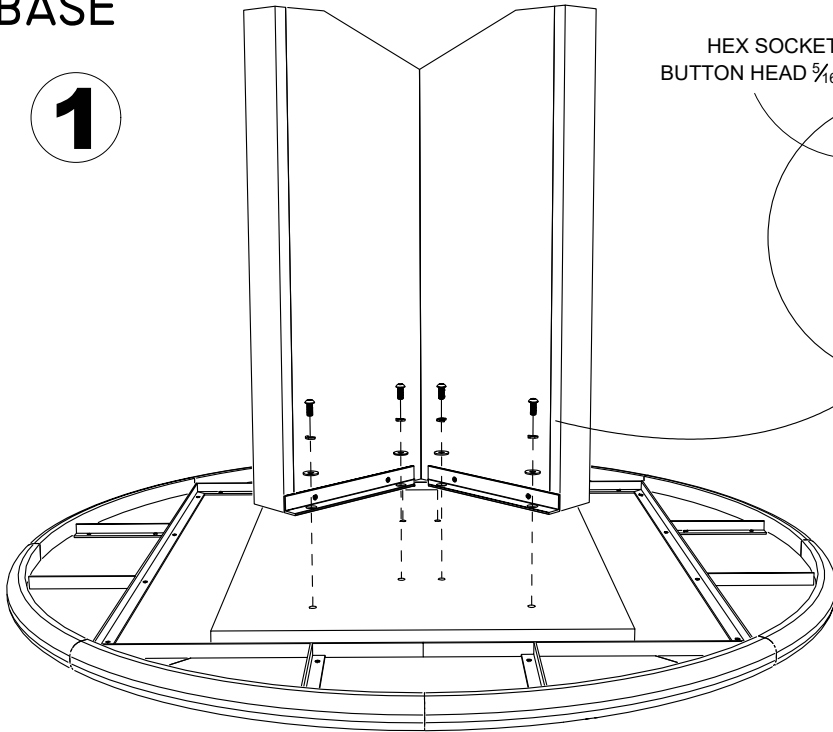
# ASSEMBLY INSTRUCTIONS

I-MIX-C018

PRODUCT IMAGE SHOWN IS FOR ILLUSTRATIVE PURPOSES ONLY, SHOULD NOT BE TAKEN AS REFERENCE POINT

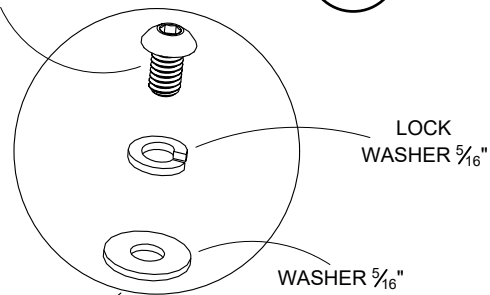
## BASE

1



HEX SOCKET  
BUTTON HEAD  $\frac{5}{16} \times \frac{3}{4}$ "

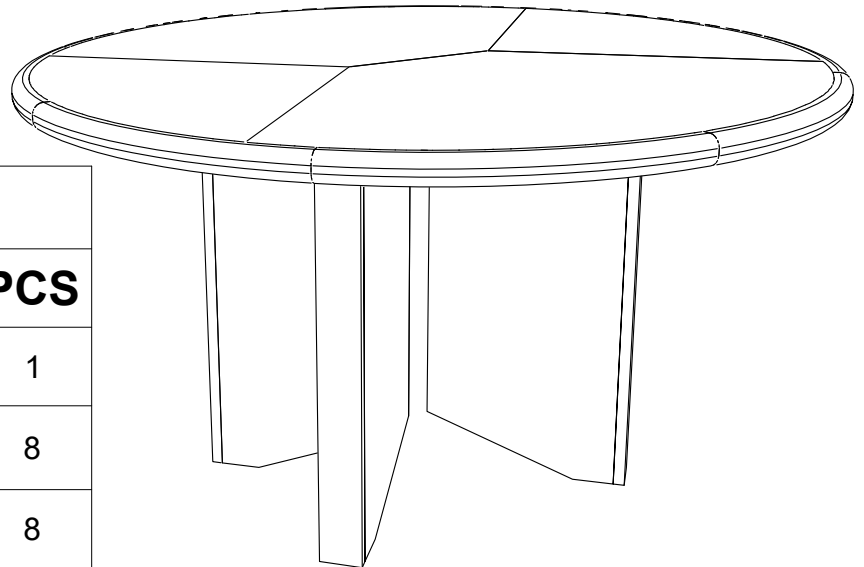
2



LOCK  
WASHER  $\frac{5}{16}$ "

WASHER  $\frac{5}{16}$ "

3



## HARDWARE

DESCRIPTION	PCS
ALLEN KEY $\frac{3}{16}$	1
HEX SOCKET BUTTON HEAD $\frac{5}{16} \times \frac{3}{4}$ "	8
LOCK WASHER $\frac{5}{16}$	8
WASHER $\frac{5}{16}$	8

## INSTRUCTIONS

1. WITH HELP, TURN FACE DOWN THE TOP IN A CLEAN SURFACE.
2. PLACE THE BASE OVER THE THE TOP, MATCHING THE SCREWS TO THE PRE-DRILLED HOLES.
3. ASK FOR HELP TO TURN THE TABLE IN TO THE RIGHT POSITION.