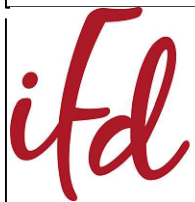
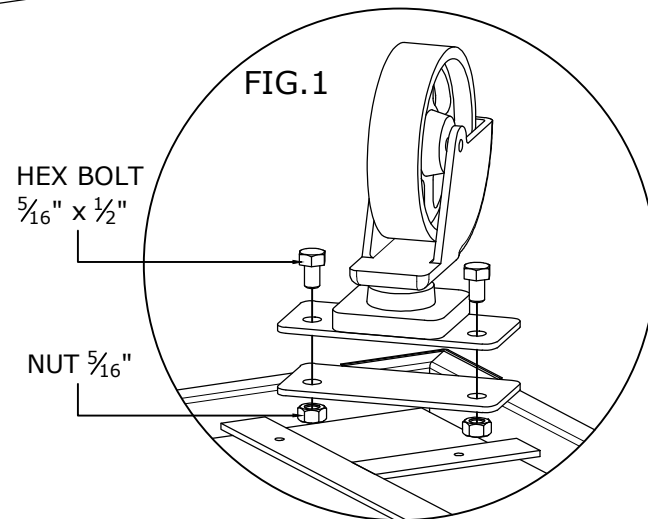


DESCRIPTION	#PZ
Hex Bolt $\frac{5}{16}$ " x $\frac{1}{2}$ "	8
Nut $\frac{5}{16}$ "	8

- 1.- WITH SOME ONE ELSE'S HELP, PLACE THE TABLE UPSIDE DOWN OVER A FLAT AND CLEAN SURFACE.
- 2.- ALIGN THE PLATE AND ITS HOLES OF BOTH THE BASE AND THE CASTER.
- 3.- INSERT THE NUTS AND BOLTS AS SHOWN IN FIG.1.
- 4.- WHEN ALL THE CASTERS ARE IN PLACE, TURN THE TABLE OVER CAREFULLY.



INTERNATIONAL
FURNITURE DIRECT, LLC

ASSEMBLING INSTRUCTIONS

I-CKL-E004

BY:IFD

MESA COCTEL 560 & 561		
ITEM	DESCRIPTION	#PZ
1TOR019	Tornillo Hexagonal de $\frac{5}{16}$ " x $\frac{1}{2}$ "	8
1TUER025	Tuerca $\frac{5}{16}$ " A/R Negra	8